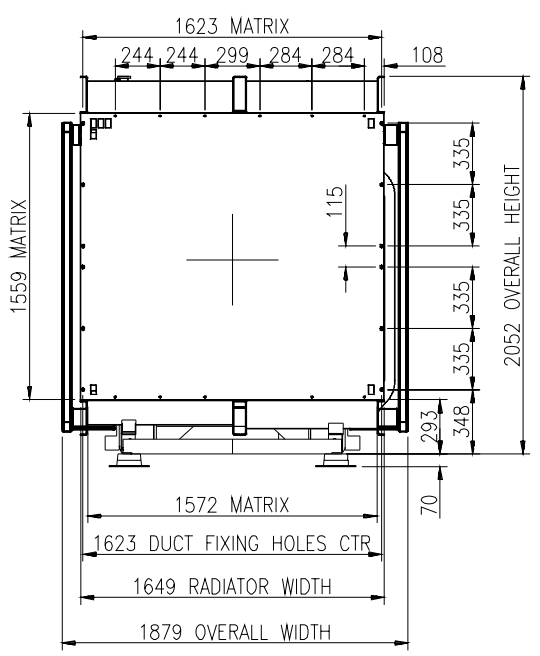
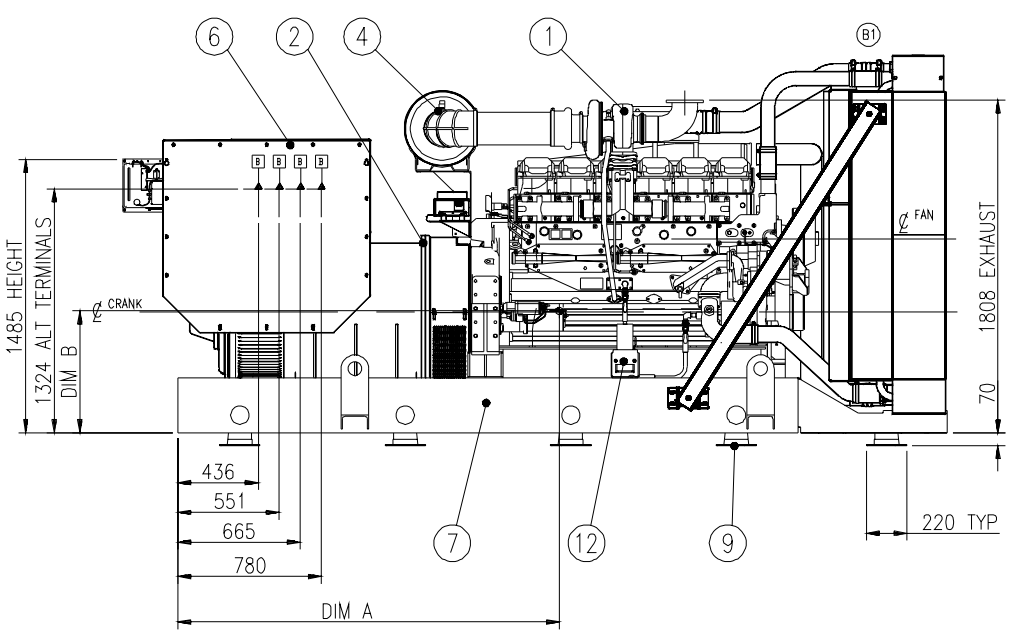
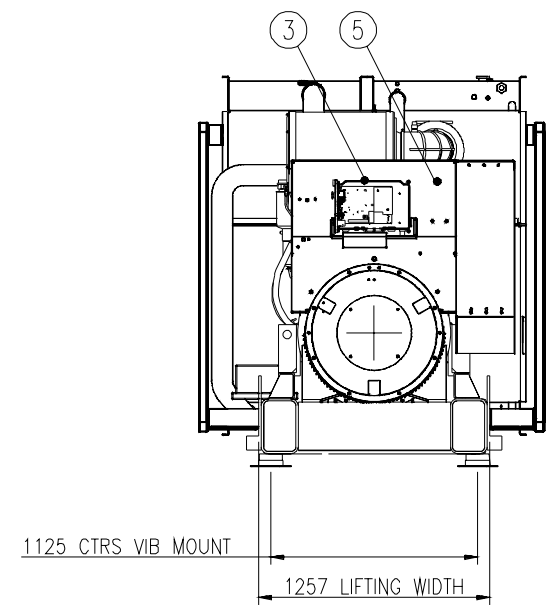
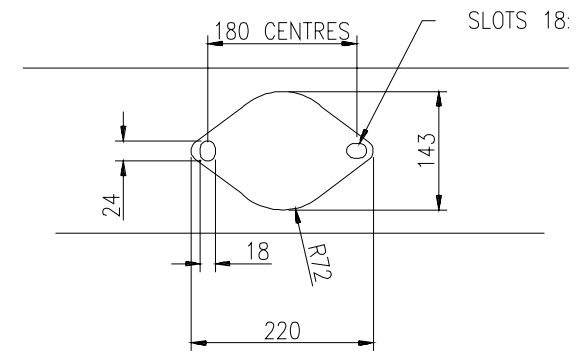


NOTES:

- DO NOT ATTACH SOLID CONDUIT TO ELECTRONICS BOX.
- GENSET SHIPPED FILLED WITH ENGINE OIL & COOLANT.



TABULATION

GEN' FRAME SIZE	DIM 'A' CofG	DIM 'B' CofG	GENSET DRY WEIGHT (KG)	GENSET WET WEIGHT (KG)
HC6G	2225 (87.5)	732 (28.8)	6387	6528
HC6H	2196 (86.5)	732 (28.8)	6539	6680
HC6J	2165 (85.2)	732 (28.8)	6701	6842
HC6K	2114 (83.2)	732 (28.8)	6963	7104

RADIATOR AIR FLOW:
FREE AIR FLOW 24.74 m³/s
MAX DUCT ALLOWANCE 19mm
AIR FLOW AT MAX DUCT ALLOWANCE 22.50 m³/s

EXHAUST FLOW DATA:
EXHAUST GAS TEMPERATURE 543°C
EXHAUST GAS FLOW 3056 liters/s
MAX. BACK PRESSURE 76.2 mmHg

ITEM	REF	DESCRIPTION OR MATERIAL
1	13	REF - BATTERY TRAY INSTALLATION
1	12	REF - HEATER-COOLANT (ENG) (IF FITTED)
1	11	SEE SHT 2 - CONTROLLER-PCC3201 (SINGLE SET & PARALLELING)
2	10	REF - HEAVY DUTY AIR CLEANER (SEE SHEET 2)
10	9	REF - VIBRATION MOUNTS
1	8	REF - RADIATOR 50°C
1	7	REF - SKID
1	6	REF - CIRCUIT BREAKER BOX
1	5	REF - CONTROL HOUSING
1	4	REF - NORMAL DUTY AIR CLEANER
1	3	REF - CONTROLLER - PCC2100 (SINGLE SET RUNNING)
1	2	REF - ALTERNATOR-HC634
1	1	REF - ENGINE - OSK23-G3

TOLERANCE UNLESS OTHERWISE SPECIFIED	SHARP TO EDGED FROM	THIRD ANGLE PROJECTION	APPROVED	DATE	<p>Cummins Power Generation Columbus Avenue, Manston, Ramsgate Kent, CT12 5BF, England, UK</p>
0.00-4.99 = +0.15/-0.08 5.00-9.99 = +0.20/-0.10 10.00-17.99 = +0.25/-0.13 18.00-24.99 = +0.30/-0.15	X XX = ±3 XXX = ±0.5	DRAWN J MATHEWS CHECKED C WINGHT APPROVED M BARCENT	DATE 02/08/05 DATE 08/08/05 DATE 08/08/05	SITE CODE C900D5 PKG	
AutoCAD DO NOT SCALE PRINT ANGLE TOL. ±1.0° SCALE: 1:18					SHEET 12 OF 21 0500-4356